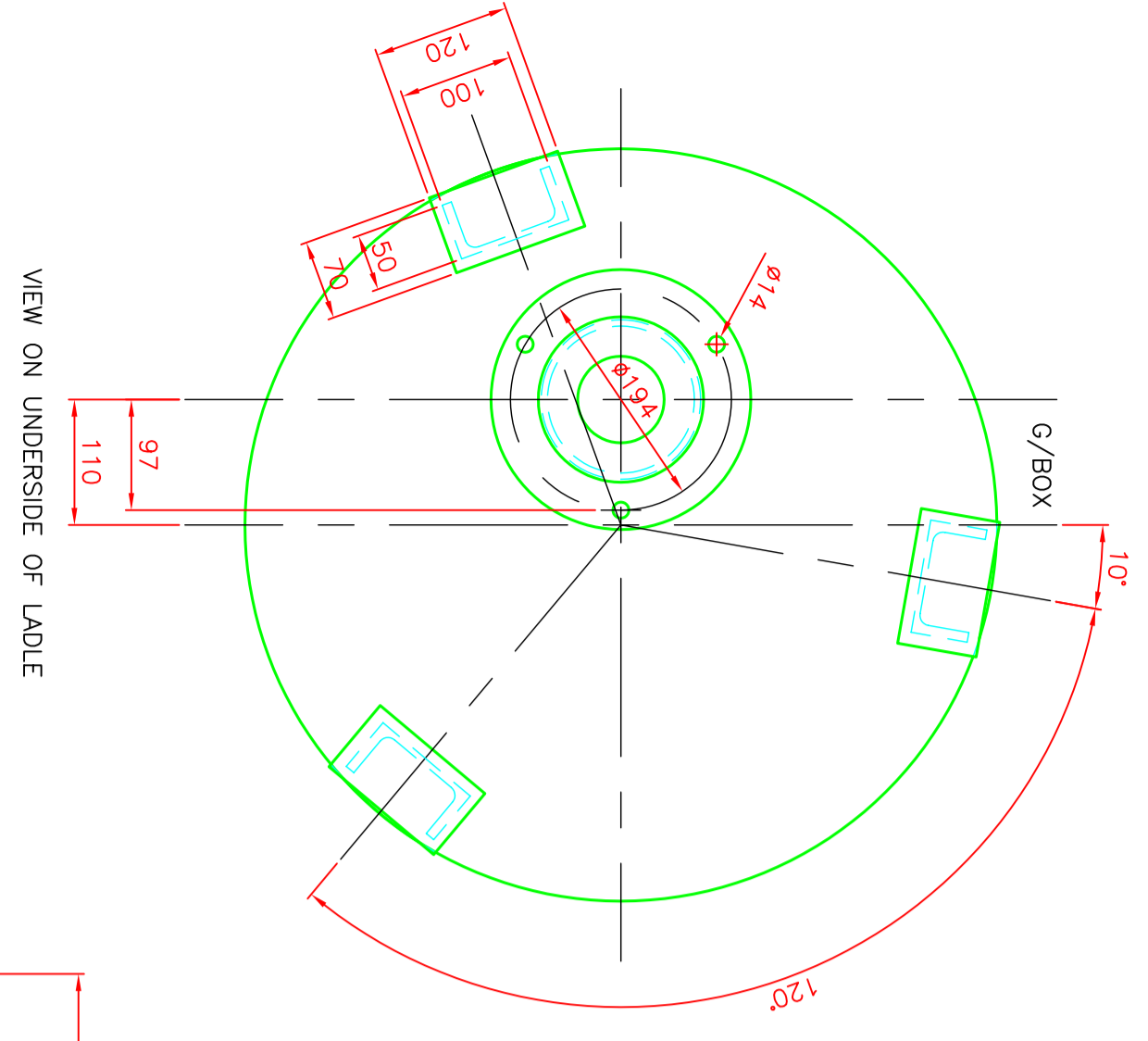
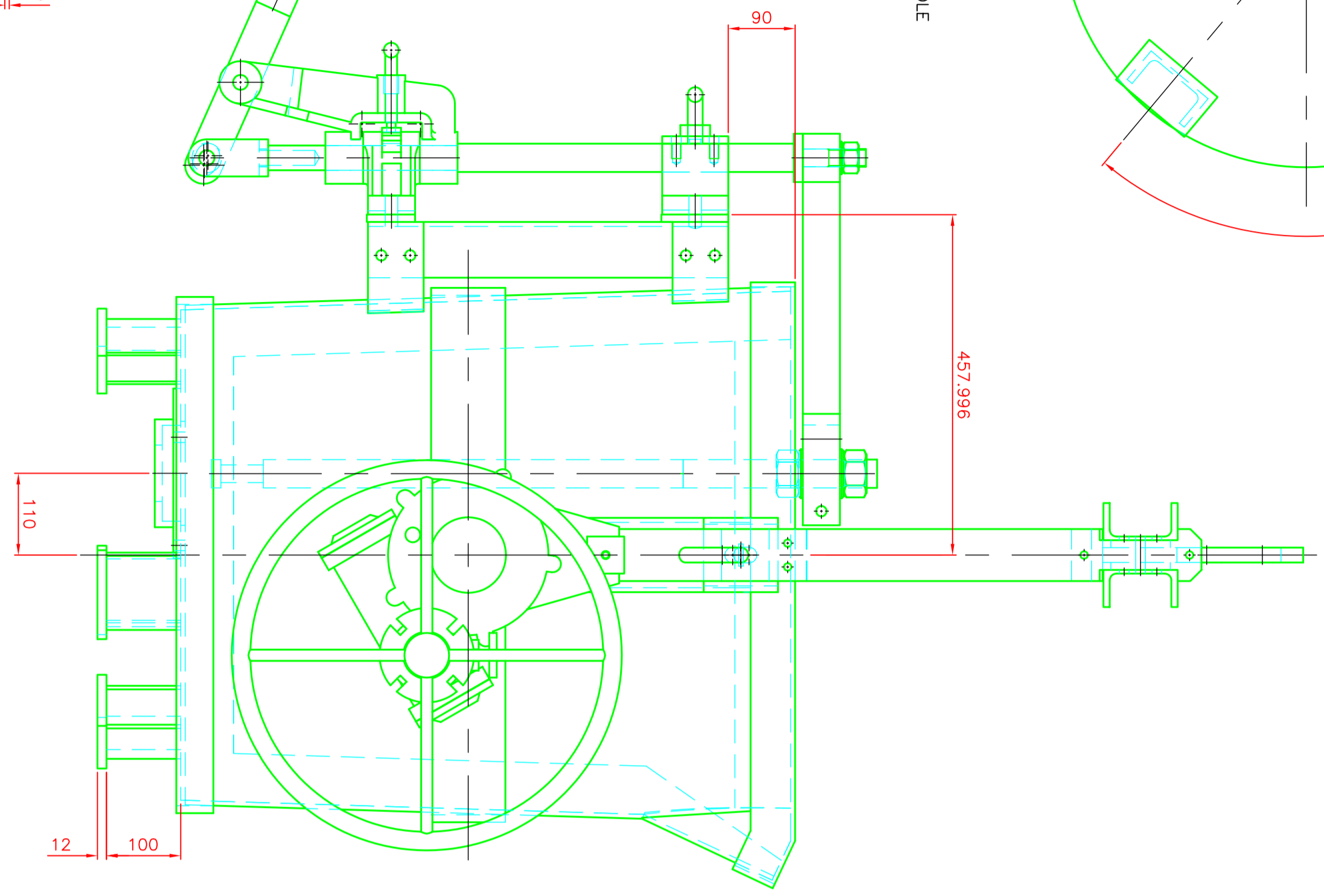
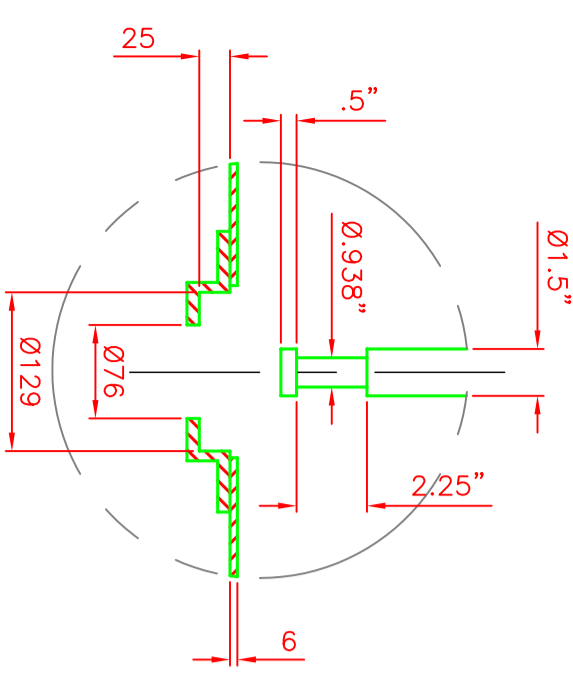
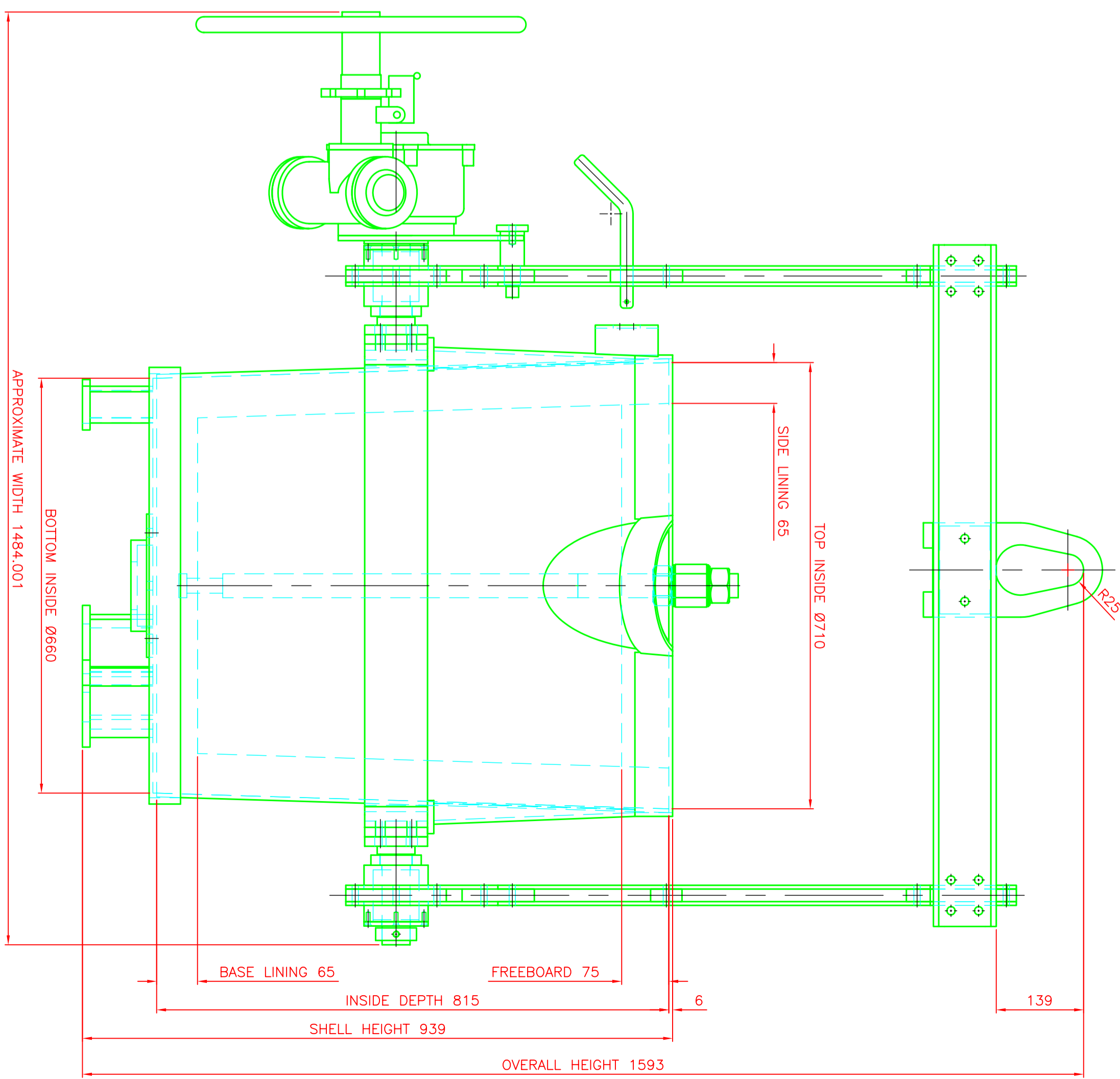


DETAIL OF STOPPER ROD AND NOZZLE BOX ARRANGEMENT



VIEW ON UNDERSIDE OF LADLE



APPROXIMATE WIDTH 1484.001

BOTTOM INSIDE 0660

BASE LINING 65

FREEBOARD 75

INSIDE DEPTH 815

SHELL HEIGHT 939

OVERALL HEIGHT 1593

SIDE LINING 65

TOP INSIDE 0710

R25