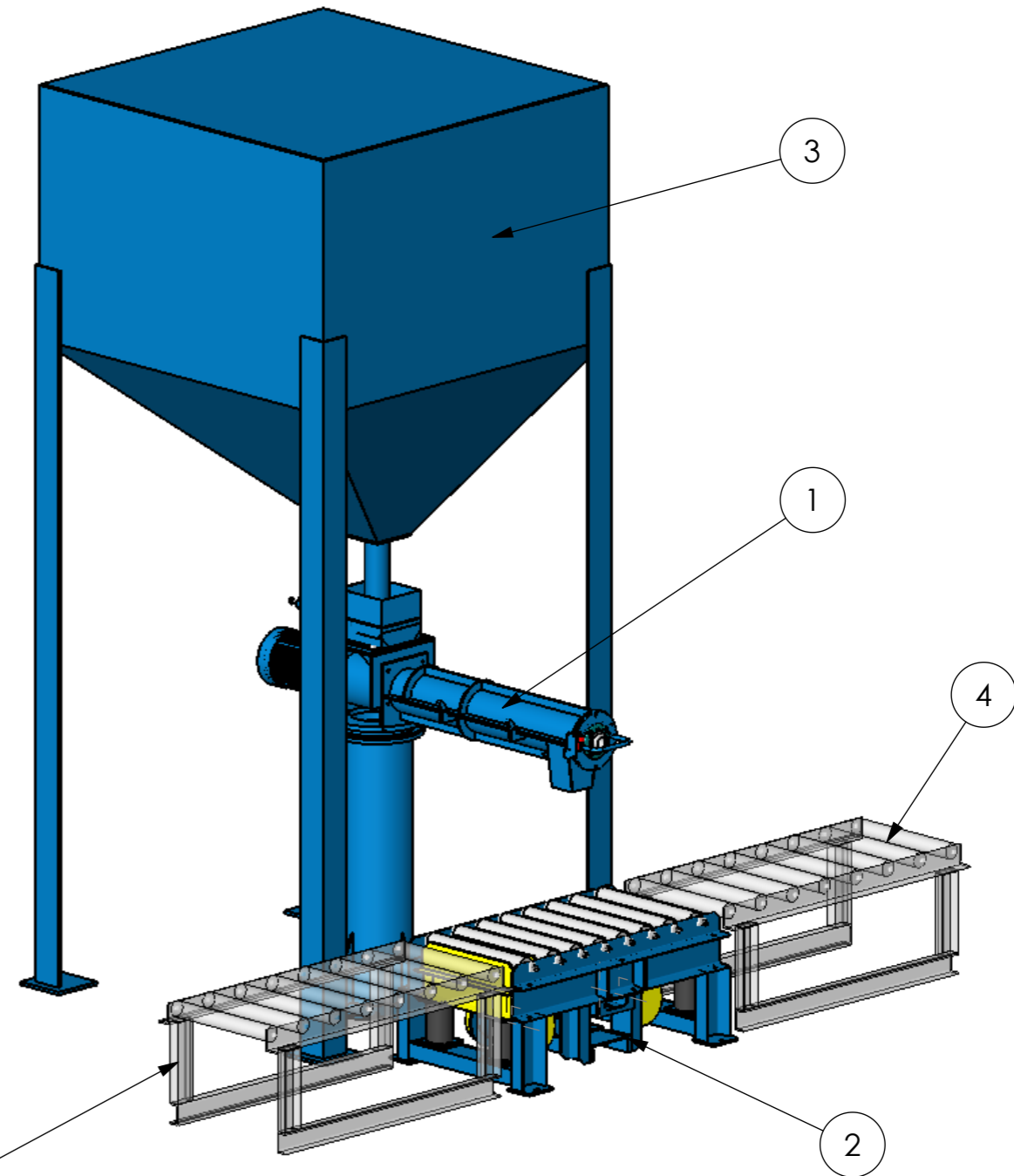
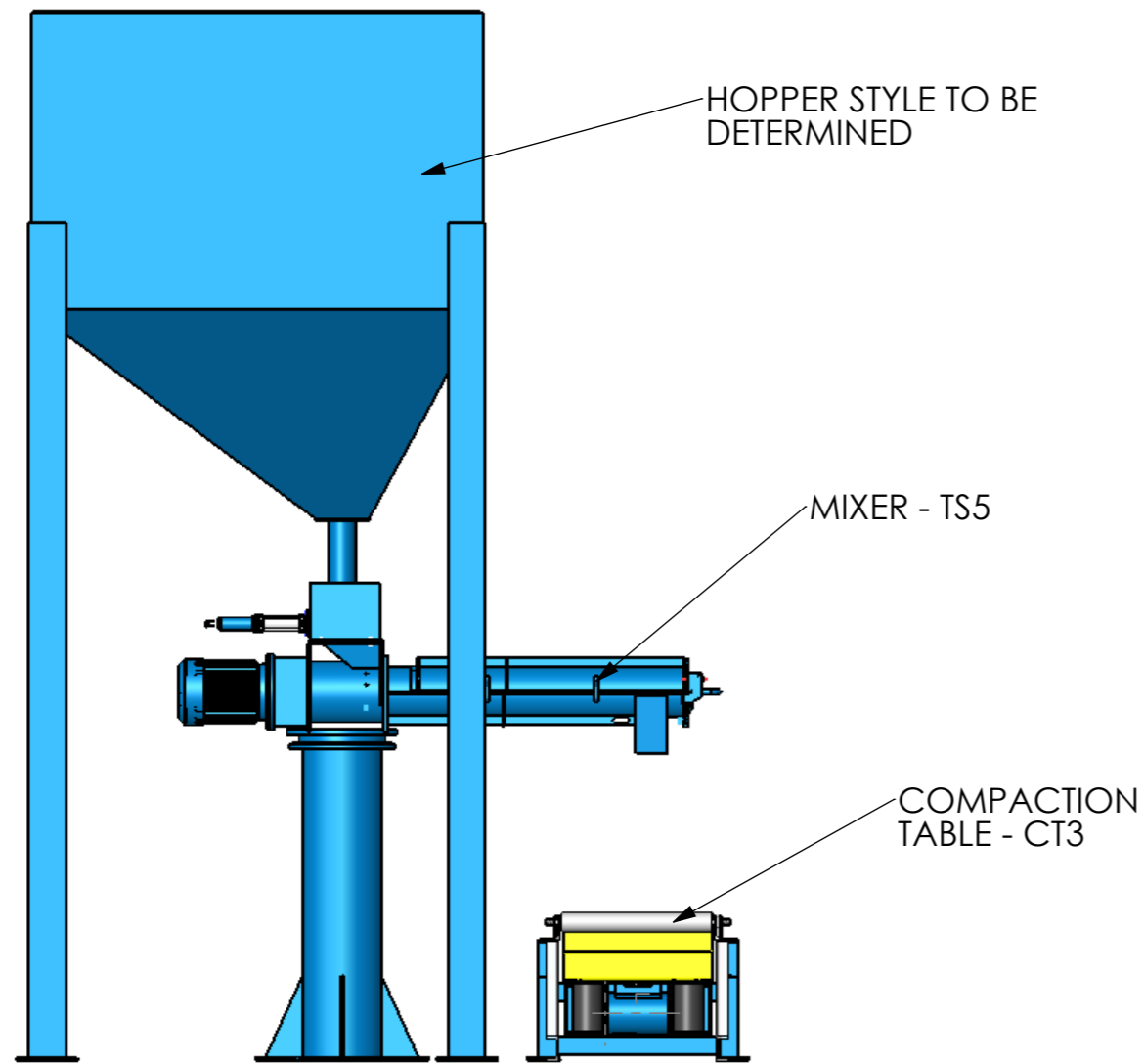


ITEM No.	QTY.	DESCRIPTION
1	1	TS5 - SINGLE ARM MIXER
2	1	COMPACTION TABLE
3	1	HOPPER_1
4	2	TRACK_1



TYPICAL ENTRY / EXIT TRACKS SHOWN FOR REFERENCE ONLY



Unit H, Fryers Close, Walsall, West Midlands. WS3 2XQ
Phone +44 (0)1922 493603 Fax +44 (0)1922 713729

TITLE: CORE MAKING AREA LAYOUT

PROJECT:

SHEET SIZE. A3

SCALE: 1:30

REVISION

DRAWING No.

FMS-0138-02