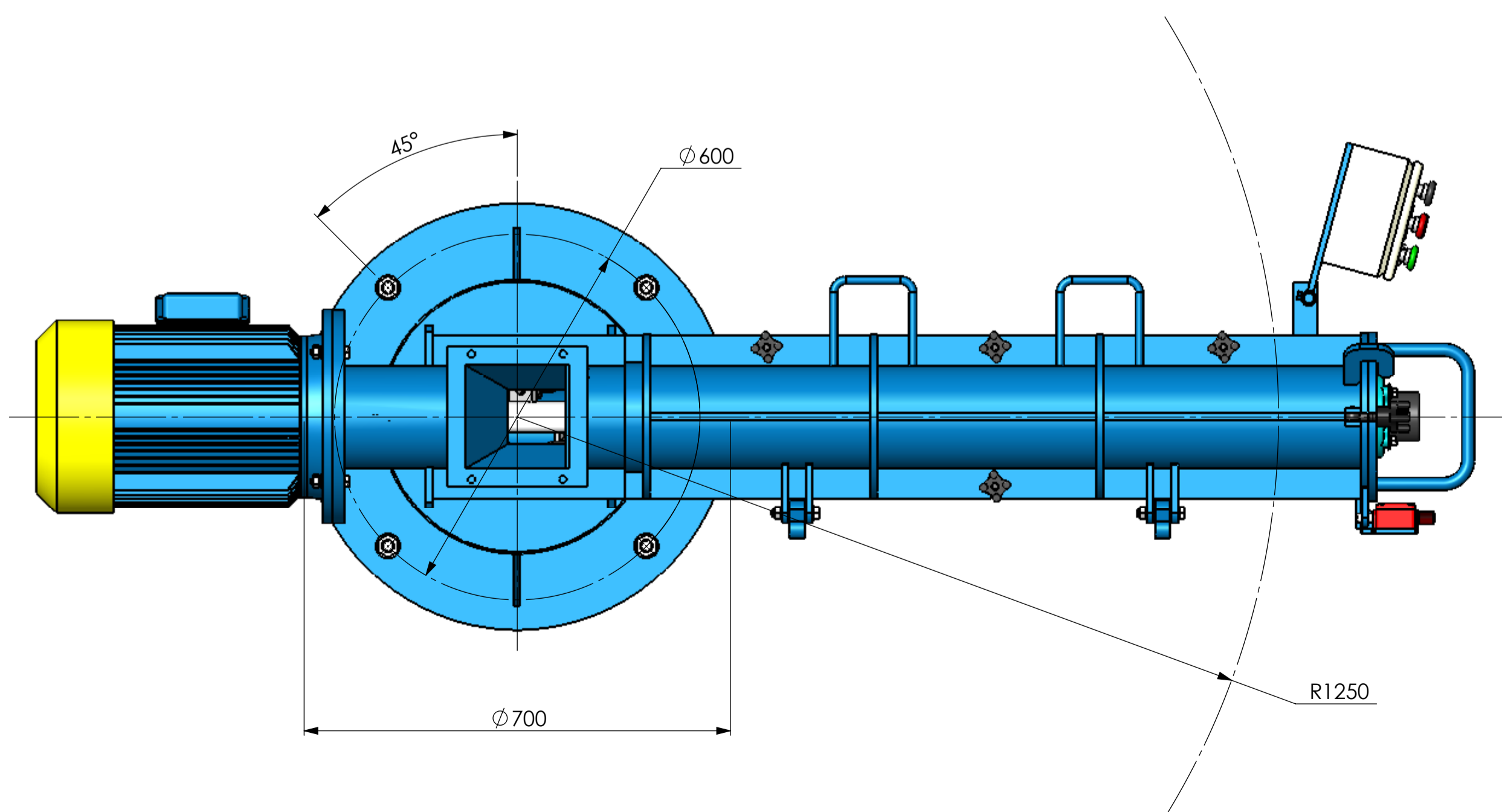


ISOMETRIC VIEW



ITEM No.	QTY.	DESCRIPTION	DRAWING No.
1	1	TS5 - PEDESTAL ASSEMBLY_1	S02-0002
2	1	TS5 - MIXER BODY ASSEMBLY_1	S02-0003

FMS Foundry Machinery and Spares
 Unit H, Fryers Close, Walsall, West Midlands, WS3 2XG
 Phone +44 (0)1922 468603 Fax +44 (0)1922 713729

TOLERANCES UNLESS OTHERWISE STATED		
DIMENSIONS IN MM	MACHINED	UNMACHINED
UP TO 20	±0.10	±0.5
ABOVE 20 TO 50	±0.15	±0.75
ABOVE 50 TO 200	±0.20	±1.0
ABOVE 200 TO 500	±0.40	±1.25
ABOVE 500 TO 1000	±0.60	±1.5
1000 AND ABOVE	±0.80	±2.0

THIS DRAWING IN DESIGN + DETAIL IS THE PROPERTY OF FOUNDRY MACHINERY & SPARES LTD AND IS INTENDED SOLELY FOR THE USE OF THE PERSON OR COMPANY TO WHOM IT IS ISSUED. IN NO EVENT SHALL IT BE COPIED OR LOANED WITHOUT THE EXPRESS PERMISSION OF FOUNDRY MACHINERY & SPARES LTD.		
TITLE: TS5 - MIXER ASSEMBLY_1		
PROJECT: STANDARD	SCALE: 1:7.5	REVISION
DRAWING No. S02-0001		
DRAWN: A.P.E.	DATE: JULY 08	