



Produced in a complete range of sizes from G 1/8 up to G 1 1/2 these valves are particularly suitable for applications where high flow rates and high cycle rates are required. The well-proven poppet system guarantees high performance at a competitive price.

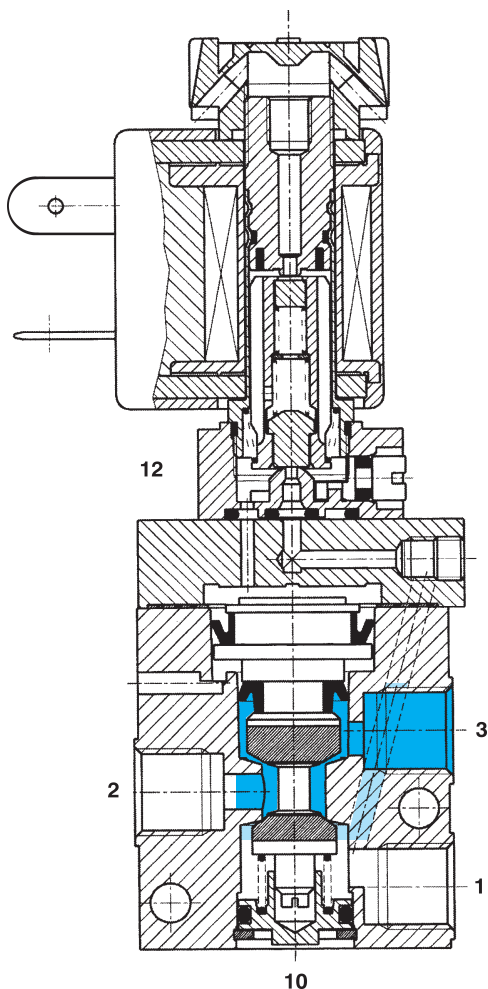
TECHNICAL CHARACTERISTICS

Internal system with conical plungers and vulkollan diaphragm
 Ambient temperature: 50°C
 Fluid temperature: -5°C + 60°C
 Fluid: filtered air 50 µm , with or without lubrication
 Working pressure: 10 bar max.
 Indirect electropneumatic control
 2/2 versions available

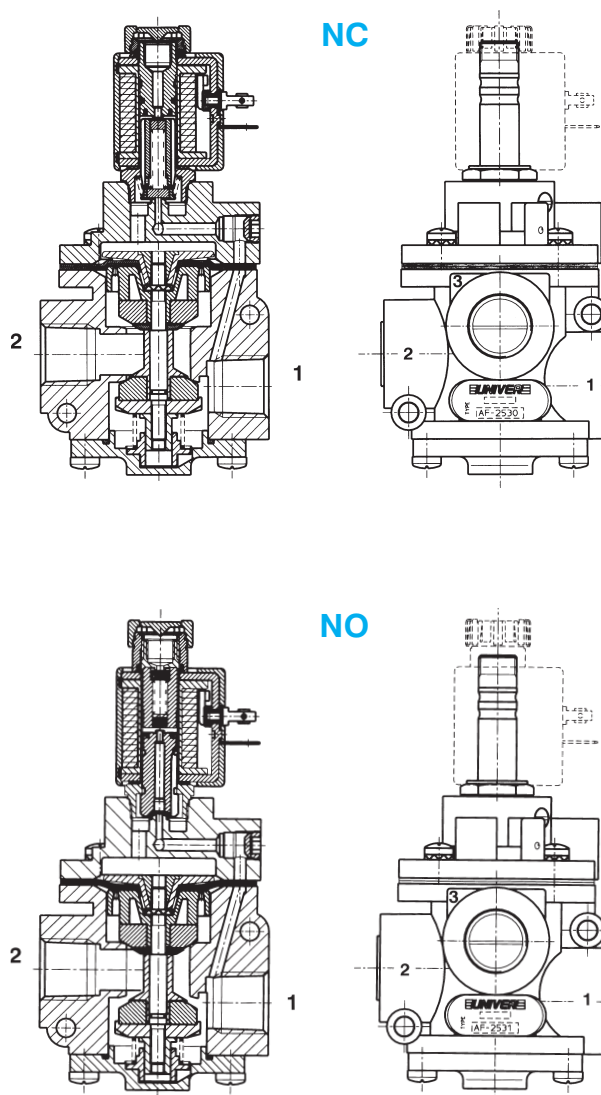
Pneumomechanical spring return
 Coils U1 DA series; U2 DB series
 Section accessories page 10-V

NOTE: for the "CV" of the valve divide the flow rate value (NI/min) by "962"

G 1/8 - G 3/8


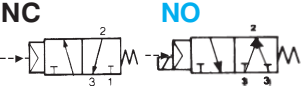


G 1/2 - G 1 1/2

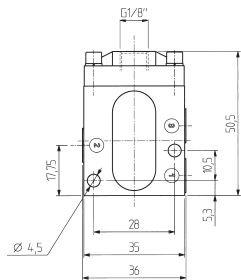
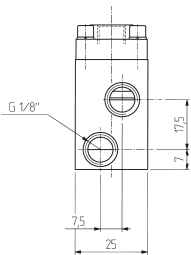


- 1 = Supply
- 2 = Consumption
- 3 = Exhaust
- 12 = Control
- 10 = Return

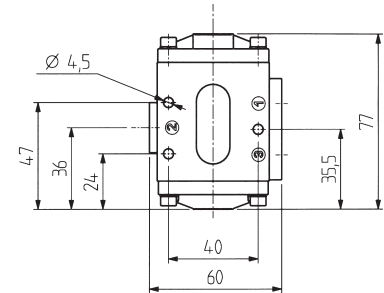
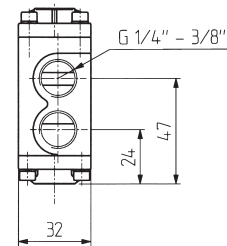
Solenoid operated valves 3/2 for compressed air


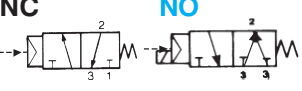
Type	Control	Return	Ways	Connections	Ø mm	Capacity NI/min	Response time ms		Pressure bar		Mass kg	Part number
							energ.	de-energ.	min.	max.		
 NC NO 	pneum.	pneum. mech.	3/2 NC	G 1/8	5,5	580	5	8	6	3,5	0,21	AF-2600
			3/2 NO									AF-2700
			3/2 NC	G 1/4	8	1100	5	7	6	4	0,54	AF-2601
			3/2 NO									AF-2701
			3/2 NC	G 3/8	10	1500	5	7	6	4	0,52	AF-2606
			3/2 NO									AF-2706

Overall dimensions G 1/8

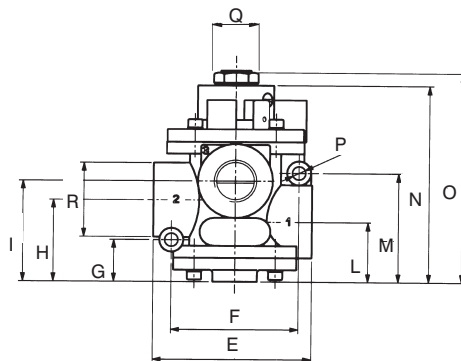
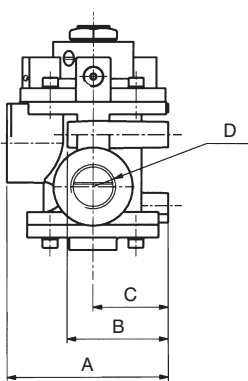


Overall dimensions G 1/4 - G 3/8



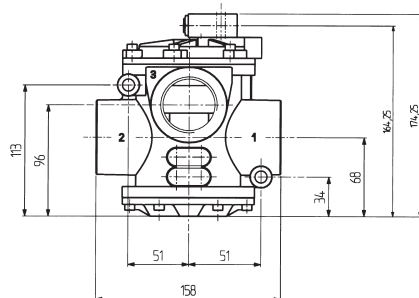
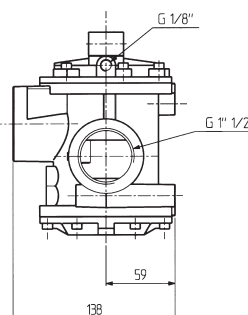
Type	Control	Return	Ways	Connections	Ø mm	Capacity NI/min	Response time ms		Pressure bar		Mass kg	Part number
							energ.	de-energ.	min.	max.		
 NC NO 	pneum.	pneum. mech.	3/2 NC-NO	G 1/2	15	5400	7	10	6	4	1,27	AF-2603
			3/2 NC-NO	G 3/4	19	6500	7	10	6	4	1,10	AF-2610
			3/2 NC-NO	G 1	25	13500	10	12	6	4	1,59	AF-2615
			3/2 NC-NO	G 1 1/2	39	35000	36	15	6	4	2,19	AF-2620

Overall dimensions G 1/2 - G 3/4 - G 1



	G1/2	G3/4	G1
A	75		88,5
B	47		88,5
C	35		88,5
D	G1/2	G3/4	G1
E	78,5		88,5
F	63		88,5
G	21		88,5
H	41		88,5
I	50,5		88,5
L	30		88,5
M	54,5		88,5
N	100		88,5
O	105		88,5
P	Ø 6,4		Ø 88,5
Q	G1/4		G1/4
R	37		

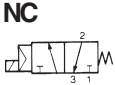
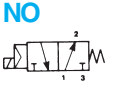
Overall dimensions G 1 1/2



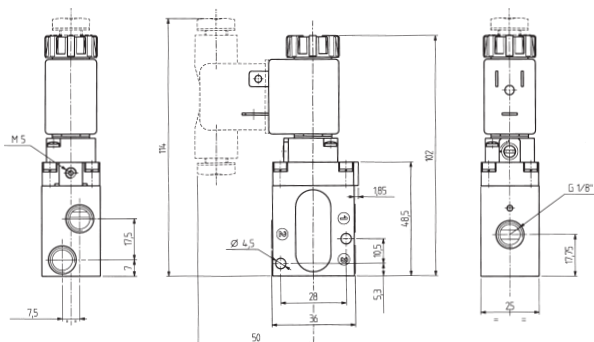
The part numbers of solenoid valves do not include coils



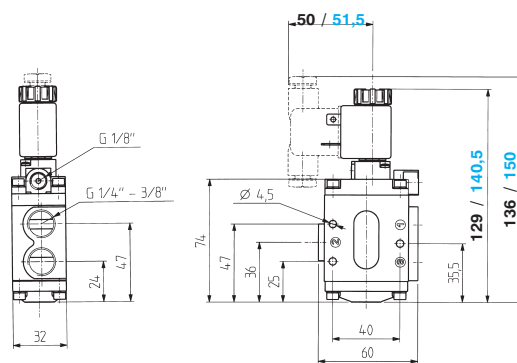
Solenoid operated valves 3/2 for compressed air

Type	Control	Return	Ways	Connections	Ø mm	Capacity NI/min	Response time ms		Pressure bar		Mass kg	Part number	Coil
							energ.	de-energ.	min.	max			
 	electrical	pneu-mech.	3/2NC	G 1/8	5,5	580	15	20	1,5	10	0,25	AF-2500	U1
			3/2NO									AF-2501	U1
			3/2NC	G 1/4	8	1100	20	23	1,6	10	0,58	AF-2510	U1
			3/2NO									AF-2511	U1
			3/2NC	G 3/8	10	1500	20	23	1,6	10	0,56	AF-2520	U1
			3/2NO									AF-2521	U1
			3/2NC	G 1/4	8	1100	20	23	1,6	10	0,70	AF-2515	U2
			3/2NO									AF-2516	U2
3/2NC	G 3/8	10	1500	20	23	1,6	10	0,70	AF-2522	U2			
3/2NO									AF-2523	U2			

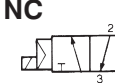

Overall dimensions G 1/8



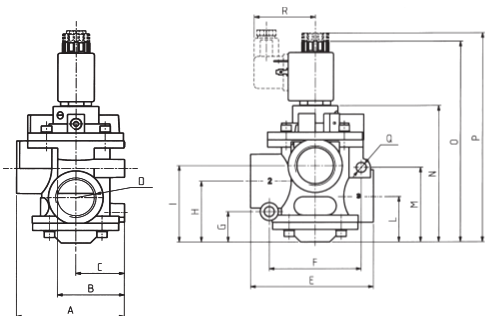
Overall dimensions G 1/4 and G 3/8



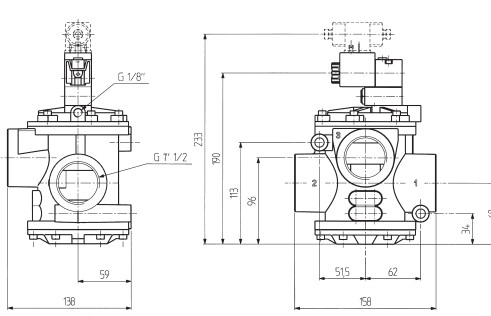
Dimensions with U2 coil blue colour

Type	Control	Return	Ways	Connections	Ø mm	Capacity NI/min	Response time ms		Pressure bar		Mass kg	Part number	Coil
							energ.	de-energ.	min.	max			
 	electrical	pneu-mech.	3/2NC	G 1/2	15	5400	17	27	2	10	1,19	AF-2530	U2
			3/2NO									AF-2531	
			3/2NC	G 3/4	19	6500	17	27	2	10	1,13	AF-2540	U2
			3/2NO									AF-2541	
			3/2NC	G 1	25	13500	20	32	2,2	10	1,62	AF-2545	U2
			3/2NO									AF-2546	
3/2NC	G 1 1/2	39	35000	47	22	2,5	10	2,27	AF-2565	U2			
3/2NO									AF-2561				

Overall dimensions G 1/2 - G 3/4 - G 1



Overall dimensions G 1 1/2



	G1/2	G3/4	G1
A	75	75	89
B	47	47	55
C	35	35	40
D	G 1/2	G 3/4	G1
E	78,5	78,5	101
F	63	63	76
G	21	21	25,5
H	41	41	51
I	50,5	50,5	64
L	30	30	38
M	54,5	54,5	62,5
N	100	100	115
O	150	150	167
P	154	154	174
Q	Ø6,4	Ø6,4	Ø8,4
R	50,5	50,5	50

The part numbers of solenoid valves do not include coils



A complete range of solenoid valves and pneumatic valves from G 1/8 to G 1 1/2 for vacuum to satisfy all requirements. The internal system ensures high reliability and long life.

TECHNICAL CHARACTERISTICS

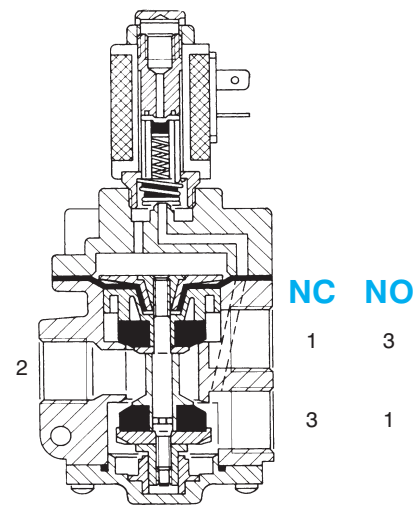
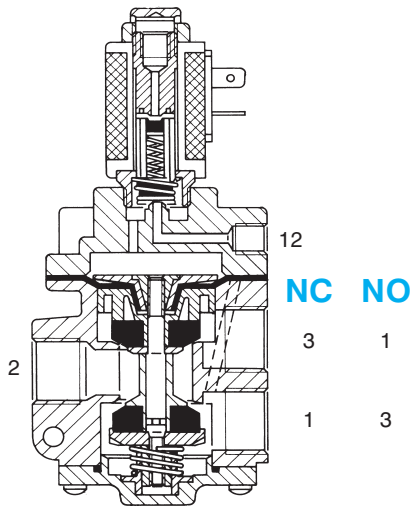
Internal system using conical plungers and Vulkollan diaphragm for solenoid operated valves, servo controlled by compressed air; silicon plugs for direct vacuum solenoid operated valve servo controlled by vacuum.
 Ambient temperature: 50°C
 Fluid temperature: -5°C + 60°C
 Fluid: filtered air 50 µm, with or without lubrication
 Control by indirect vacuum
 Automatic return by vacuum

Coils U1 DA series; U2 DB series
 Section accessories page 15.

2/2 versions for solenoid operated valve for vacuum servoassisted by air;
 for solenoid operated valves for direct vacuum servoassisted by vacuum
 the 2/2 version is obtained by inserting a plug in the exhaust.

Solenoid operated valve, servoassisted by compressed air

Solenoid operated valve, servoassisted by vacuum



- 1 = Pump
- 2 = Consumption
- 3 = Exhaust
- 12 = Air control

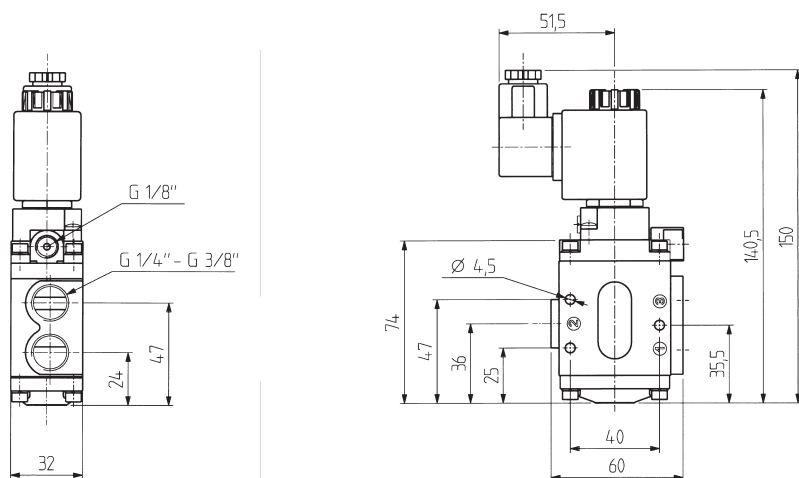
Solenoid operated valves 3/2, for direct vacuum servoassisted by vacuum

Type	Symbol	Ways	Connections	Ø mm	Response time ms		Pump max m³/h	Vacuum		Mass kg	Part number	Coil
					energ.	de-energ.		min.	max			
	NC 	3/2 NC	G 1/4	8	25	16	4	150 mm Hg	759,5 mm Hg	0,52	AG-3210	U2
		3/2 NO			20	14				0,58	AG-3211	U2
		3/2 NC	G 3/8	10	25	16	10			0,56	AG-3214	U2
		3/2 NO			20	14				0,56	AG-3215	U2
		3/2 NC	G 1/2	15	30	15	20			1,19	AG-3222	U2
		3/2 NO			20	18				1,19	AG-3223	U2
	NO 	3/2 NC	G 3/4	19	30	15	35	610 Torr	0,5 Torr	1,13	AG-3232	U2
		3/2 NO			20	18				1,13	AG-3233	U2
		3/2 NC	G 1	25	38	18	90			1,62	AG-3242	U2
		3/2 NO			25	20				1,62	AG-3243	U2
		3/2 NC	G 1 1/2	39	75	50	100			2	AG-3256	U2
		3/2 NO			70	60				2	AG-3257	U2

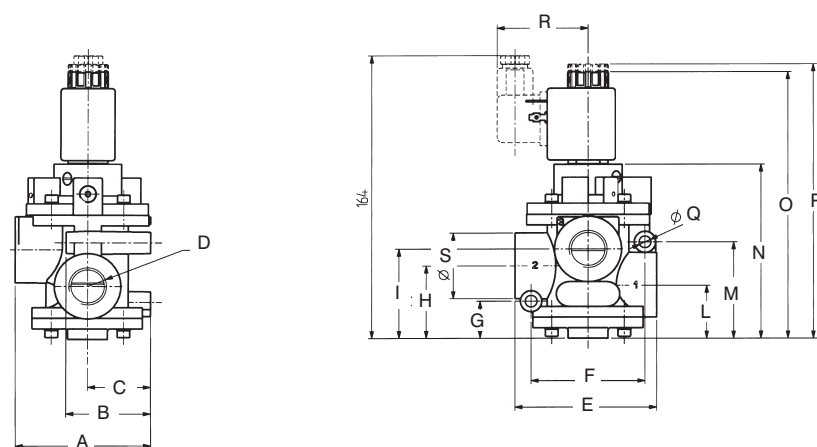
The part numbers of solenoid valves do not include coils

Overall dimensions G 1/4 - G 3/8

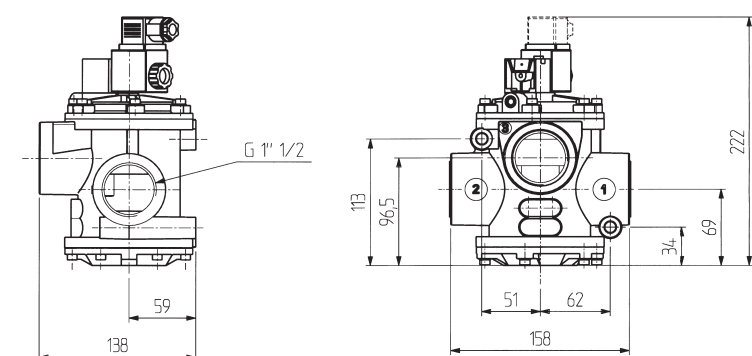
G 1/4 - G 3/8



G 1/2 - G 3/4


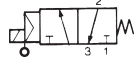



G 1 1/2

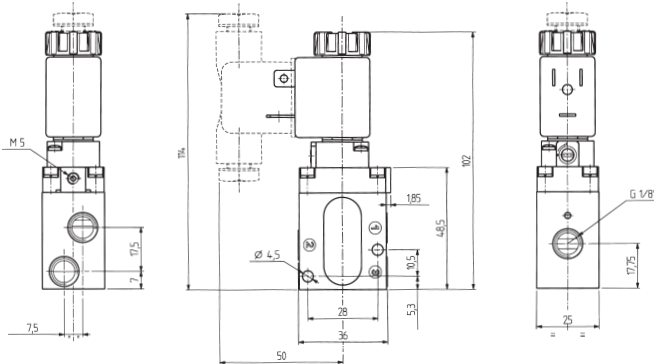


	G1/2 - G3/4	G1
A	75	89
B	47	55
C	35	40
D	G1/2-G3/4	G1
E	78,5	101
F	63	76
G	21	25,5
H	41	51
I	50,5	64
L	30	38
M	54,5	62,5
N	100	115
O	150	167
P	154	175
Q	Ø 64	Ø 84
R	50,5	50
S	37	

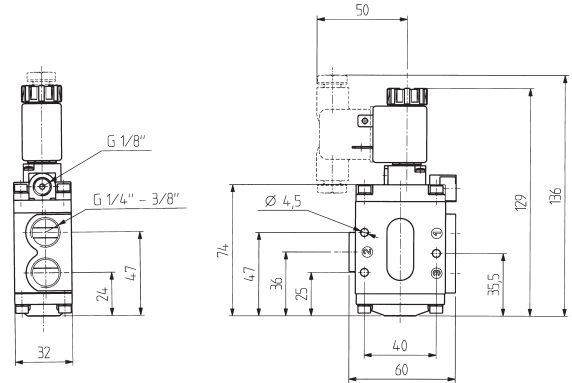
Solenoid valves 3/2 for vacuum, servoassisted by compressed air


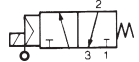

Type	Symbol	Ways	Connections	Ø mm	Response time ms energ. de-energ.		Pump max m ³ /h	Vacuum max	Min. pressure	Mass kg	Part number	Coil
	NC 	3/2 NC	G 1/8	5,5	14	25	1,5	759,5 mm Hg	1,5	0,25	AG-3001	U1
		3/2 NO									AG-3002	
	NO 	3/2 NC	G 1/4	8	16	27	4	0,5 Torr	2,5	0,58	AG-3009	U2
		3/2 NO									AG-3010	
		3/2 NC	G 3/8	10	16	27	10	2,5	0,56	AG-3011		
		3/2 NO								AG-3012		

Overall dimensions G 1/8

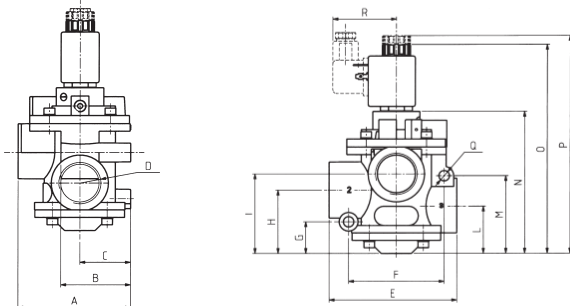


Overall dimensions G 1/4 and G 3/8



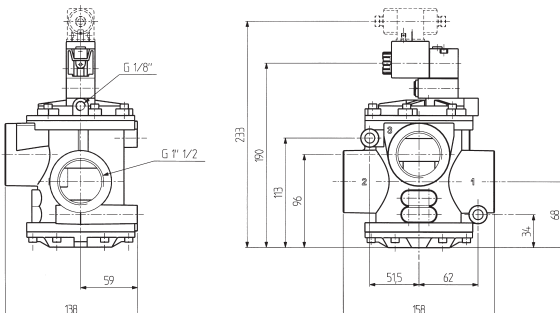
Type	Symbol	Ways	Connections	Ø mm	Response time ms energ. de-energ.		Pump max m ³ /h	Vacuum max	Min. pressure	Mass kg	Part number	Coil
	NC 	3/2 NC	G 1/2	15	16	40	20	759,5 mm Hg	3	1,19	AG-3020	U2
		3/2 NO									AG-3021	
	NO 	3/2 NC	G 3/4	19	16	40	35	0,5 Torr	3	1,62	AG-3040	
		3/2 NO									AG-3041	
		3/2 NC	G 1	25	18	42	90	4	2,25	AG-3050		
		3/2 NO								AG-3051		
	3/2 NC	G 1 1/2	39	60	38	180	AG-3062					
	3/2 NO							AG-3063				

Overall dimensions G 1/2 - G 1




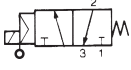
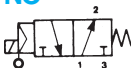
	G 1/2	G 3/4	G 1
A	75	75	89
B	47	47	55
C	35	35	40
D	G 1/2	G 3/4	G1
E	78,5	78,5	101
F	63	63	76
G	21	21	25,5
H	41	41	51
I	50,5	50,5	64
L	30	30	38
M	54,5	54,5	62,5
N	100	100	115
O	150	150	167
P	154	154	174
Q	Ø 6,4	Ø 6,4	Ø 8,4
R	50,5	50,5	50

Overall dimensions G 1 1/2

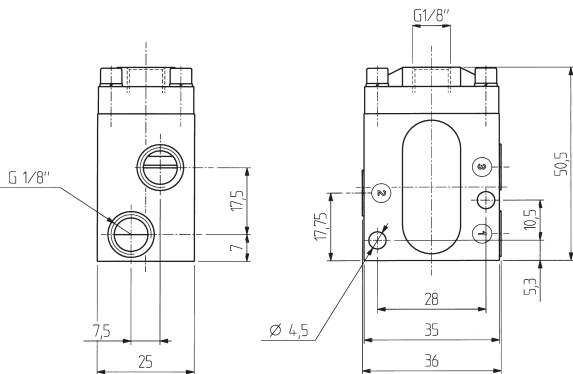


The part numbers of solenoid valves do not include coils

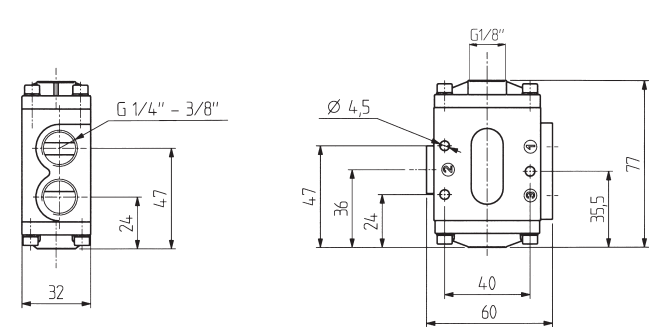
Servovalves 3/2 for vacuum servoassisted by compressed air


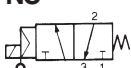

Type	Symbol	Ways	Connections	Ø mm	Response time ms		Pump max m ³ /h	Vacuum max	Min. pressure	Mass kg	Part number
					energ.	de-energ.					
	NC 	3/2 NC	G 1/8	5,5	3	6	1,5	759,5 mm Hg	1,5	0,21	AG-3071
		3/2 NO									AG-3072
	NO 	3/2 NC	G 1/4	8	4	8	4	0,5 Torr	2,5	0,54	AG-3073
		3/2 NO									AG-3074
		3/2 NC	G 3/8	10	4	8	10	2,5	0,52	AG-3075	
		3/2 NO								AG-3076	

Overall dimensions G 1/8

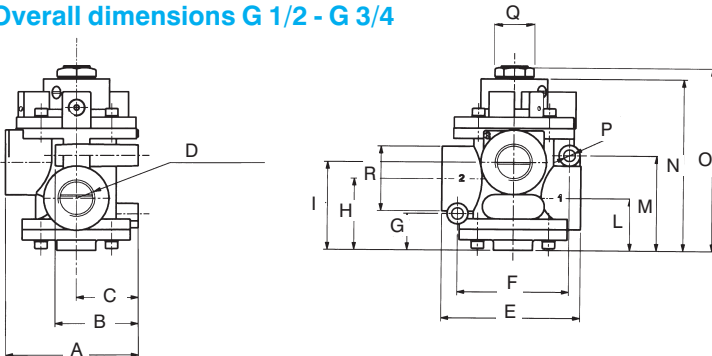


Overall dimensions G 1/4 and G 3/8

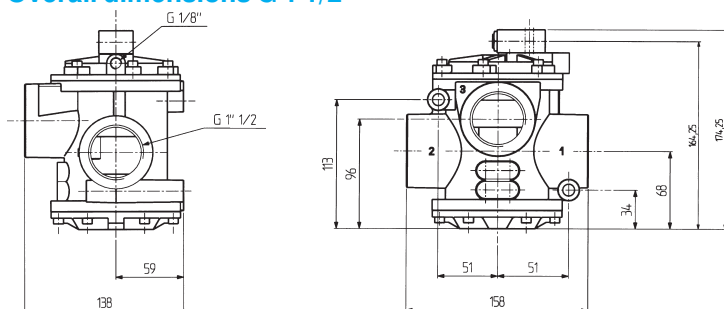


Type	Symbol	Ways	Connections	Ø mm	Response time ms		Pump max m ³ /h	Vacuum max	Min. pressure	Mass kg	Part number
					energ.	de-energ.					
	NC 	3/2 NC	G 1/2	15	6	15	20	759,5 mm Hg	3	1,16	AG-3081
		3/2 NO									AG-3082
	NO 	3/2 NC	G 3/4	19	6	15	35	0,5 Torr	3	1,10	AG-3091
		3/2 NO									AG-3092
		3/2 NC	G 1	25	7	16	90	3	1,59	AG-3100	
		3/2 NO								AG-3101	
3/2 NC	G 1 1/2	39	65	25	180	4	2,19	AG-3110			
3/2 NO								AG-3111			

Overall dimensions G 1/2 - G 3/4



Overall dimensions G 1 1/2



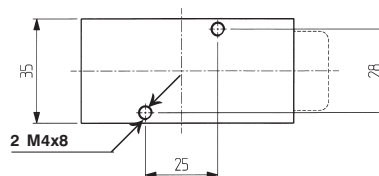
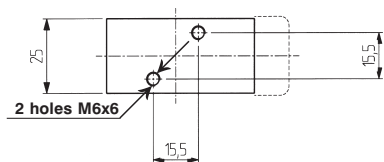
	G1/2-G3/4	G1
A	75	88,5
B	47	55
C	35	40
D	G1/2-G3/4	G1
E	78,5	101
F	63	76
G	21	25,5
H	41	51
I	50,5	64
L	30	38
M	54,5	62,5
N	100	115
O	105	120,5
P	Ø 64	Ø 84
Q	G1/4	G3/4
R	37	

Directly operated solenoid valves 3/2 - 2/2 for vacuum

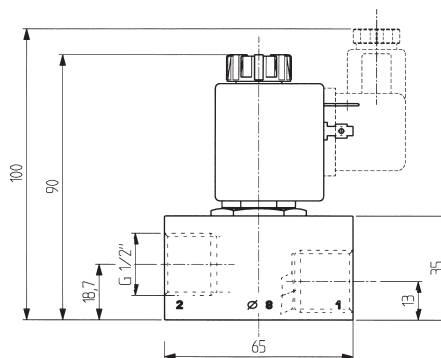
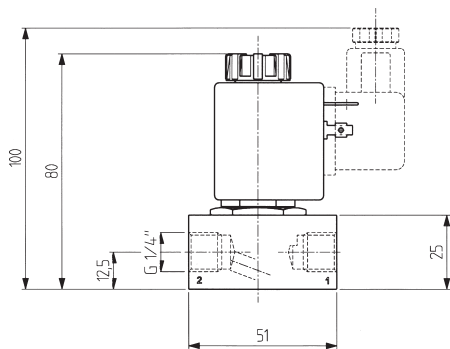
Type	Symbol	Ways	Connections	Ø mm	Response time ms		Pump max m ³ /h	Vacuum max		Mass kg	Part number	
					energ.	de-energ.		mm Hg	Torr			
<p>Coil U2 - 17 VA</p> <p>Voltage Part number 24/50-60Hz DB-0607 110/50-60Hz DB-0608 220/20-60Hz DB-0610</p>		3/2 NC	G 1/4	6*	15	8	5	759,5	0,5	0,220	AG-3313	
				G 1/2	11*	28				10	10	0,250
	Other types											
		Symbol	Ways	Connections	Ø mm	Part number		Ways	Connections	Ø mm	Part number	
			2/2 NC	G 1/4	3	AG-3300		2/2 NC	G 1/2	8	AG-3320	
					4	AG-3301				10	AG-3321	
					5	AG-3302				11	AG-3322	
					6	AG-3303						
			3/2 NC	G 1/4	3-3*	AG-3310		3/2 NC	G 1/2	8-3*	AG-3330	
					4-3*	AG-3311				10-3*	AG-3331	
	5-3*				AG-3312							

* Solenoid valves with fixed exhaust Ø 3 mm

Overall dimensions G 1/4 - G 1/2



VACUUM
 1-P = Pump
 2-A = Consumption
 3-R = Exhaust



The part numbers of solenoid valves do not include coils